

## UEG 30/1

Order No.: 2790871



<http://eshop.phoenixcontact.de/phoenix/treeViewClick.do?UID=2790871>

Electronic housing, for PCB insertion, fully equipped with 4 screw or tab connections per side

Commercial data	
EAN	4017918072360
Pack	10 Pcs.
Customs tariff	85369010
Weight/Piece	0.06292 KG
Catalog page information	Page 519 (CC-2007)

### Product notes

WEEE/RoHS-compliant since:  
01/01/2003



<http://www.download.phoenixcontact.com>  
Please note that the data given here has been taken from the online catalog. For comprehensive information and data, please refer to the user documentation. The General Terms and Conditions of Use apply to Internet downloads.

Technical data	
<b>General</b>	
Housing type	Component housing
Housing material	polyamide (PA 6.6)
Color	green

**Dimensions / positions**

Length	79.5 mm
Width	30 mm
Number of positions	8

**Technical data**

Ambient temperature (operation)	-40 °C ... 105 °C
Inflammability class acc. to UL 94	V0
Power dissipation at 20°C in the horizontal mounting position	4 W 7.2 W

**Connection data**

Conductor cross section solid min.	0.2 mm <sup>2</sup>
Conductor cross section solid max.	4 mm <sup>2</sup>
Conductor cross section stranded min.	0.2 mm <sup>2</sup>
Conductor cross section stranded max.	2.5 mm <sup>2</sup>
Conductor cross section AWG/kcmil min.	24
Conductor cross section AWG/kcmil max	12
Stripping length	8 mm

**Certificates / Approvals**

## Approval logo

**requested approbations**

Certification	GOST
---------------	------

**Accessories**

Item	Designation	Description
------	-------------	-------------

**Bridges**

2820916	DB 50- 90 BK	Wire bridge, 50-position, divisible, for bridging identical inputs and outputs, 0.5 mm <sup>2</sup> , insulation: black
2820929	DB 50- 90 GY	Wire bridge, 50-position, divisible, for bridging identical inputs and outputs, 0.5 mm <sup>2</sup> , insulation: gray

---

**General**

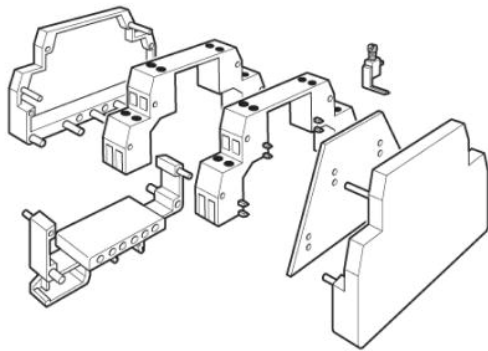
2790224	P 1-UEG	PCB for custom fitting electronic components
---------	---------	--

**Marking**

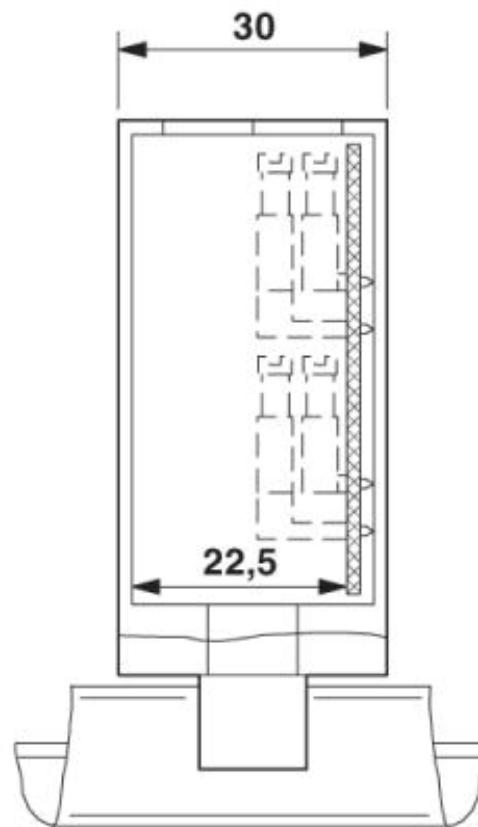
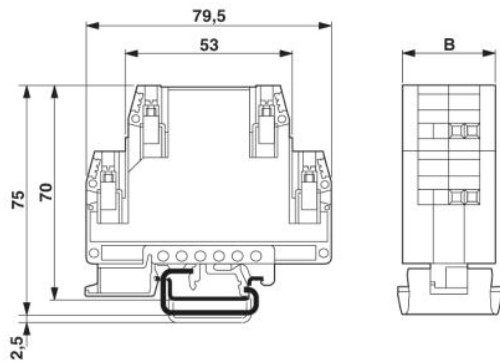
1050004	ZB 5 :UNBEDRUCKT	Zack strip, unprinted, 10-section, for individual labeling with M-PEN, ZB-T or CMS system, pack is sufficient for 100 terminal blocks, for a terminal width of 5.2 mm, color: White
---------	------------------	---

**Drawings**

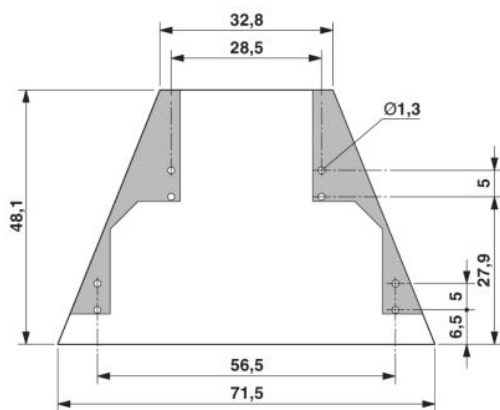
Explosion drawing



Dimensioned drawing

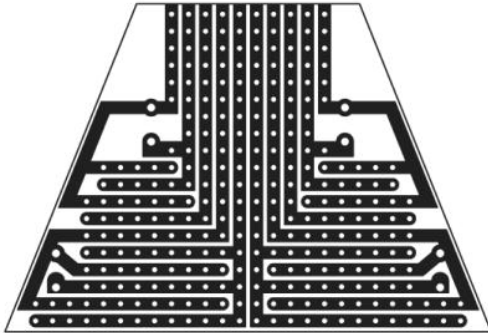


UEG 30/1, enlarged internal area, with 1 PCB, up to max. 8 positions



Schematic diagram

---



**Address**

PHOENIX CONTACT GmbH & Co. KG  
Flachsmarktstr. 8  
32825 Blomberg, Germany  
Phone +49 5235 3 00  
Fax +49 5235 3 41200  
<http://www.phoenixcontact.de>



© 2008 Phoenix Contact  
Technical modifications reserved;